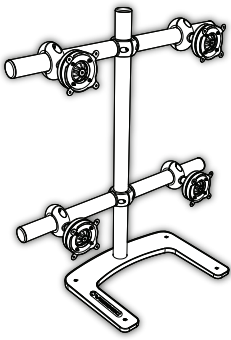




FREESTANDING QUAD

Installation Instructions

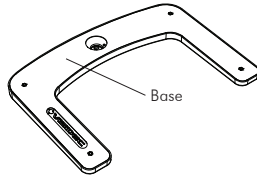
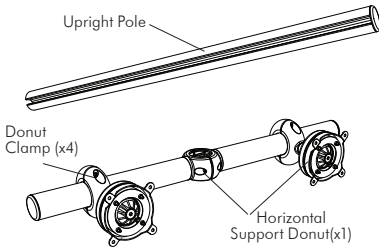


Important Notes

- Each Donut Clamp Assembly supports a maximum weight of 11.5kg (25lbs)
- This product suits VESA compliant displays with 75mm x 75mm (3" x 3") and 100mm x 100mm (4" x 4") mounting hole patterns.
- The manufacturer does not accept responsibility for incorrect installation

Component Checklist

Check you have received all parts against this component checklist prior to installation



TOOLS REQUIRED:

- Phillips Head Screw Driver

Bits Box



M8x50mm Screw (x1)



Cable Ball (x8)



Cable Clip (x4)



Extension Clip (x16)



2.5mm Allen Key (x1)



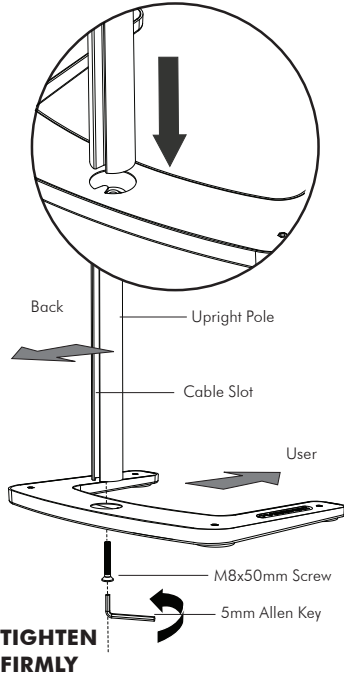
5mm Allen Key (x1)

Mounting Screws

- M4x10mm (x16)
- M4x12mm (x16)
- M4x16mm (x16)

A Attach Upright Pole to Base

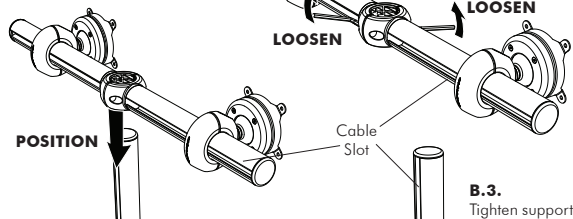
Attach the Upright Pole to the Base as shown below. Ensure the Cable Slot faces towards the rear.



B Install Horizontal Support and Donut Clamp

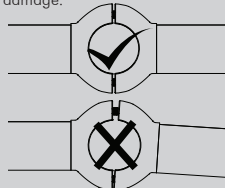
Follow steps below to attach the Horizontal Support and Donut Clamp assembly onto the Upright Pole. Ensure the Cable Slots in all the Poles are facing to the rear.

B.1. Loosen the Hex screws in the Horizontal Support Donut using the supplied 5mm Allen Key

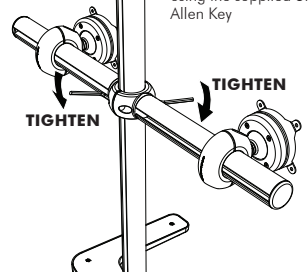


IMPORTANT:

When tightening the Donut Clamp, each of the Donut bolts must be tightened evenly, as failure to do so will damage the Donut Clamp. Do not over-tighten as this may also result in damage.



B.3. Tighten supports firmly using the supplied 5mm Allen Key



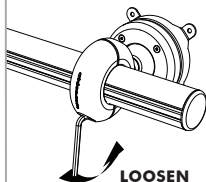
Repeat steps B.1, B.2 and B.3 for the 2nd set of Horizontal Support and Donut Clamp

C Adjust Donut Clamps

Follow steps below to adjust the position of Donut Clamps. Ensure the Cable Slots in all the Poles are facing to the rear.

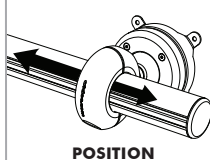
C.1.

Loosen Donut Bolts evenly using the supplied 5mm Allen Key



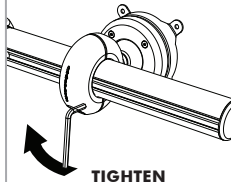
C.2.

Slide the Donut Clamp to desired position



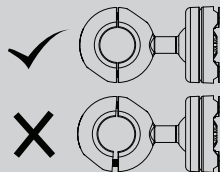
C.3.

Tighten Donut Bolts firmly using the supplied 5mm Allen Key



IMPORTANT:

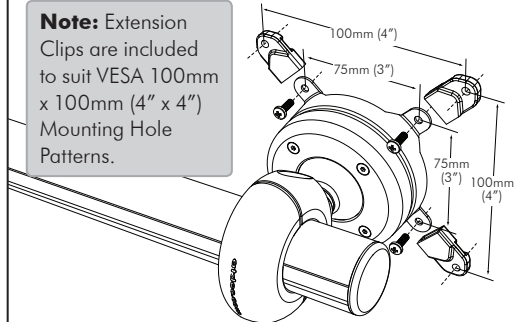
When tightening the Donut Clamp, each of the Donut bolts must be tightened evenly, as failure to do so will damage the Donut Clamp. Do not over tighten as this may also result in damage.



D Mount Displays

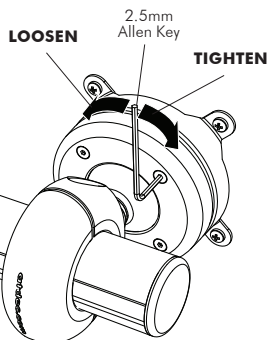
Choose the correct Mounting Screws supplied in the bits box and attach the display as shown.

Note: Extension Clips are included to suit VESA 100mm x 100mm (4" x 4") Mounting Hole Patterns.



E Adjust Ball Joint Mechanism

Adjust the Ball Joint Mechanism to suit the weight of your display. Tighten or loosen screws evenly with the supplied 2.5mm Allen Key, 1/4 turn at a time.



F Cable Management

Insert display cables into the slots in each pole, using Cable Balls to hold them in place.

Note: When the slot in each pole cannot be used, use the supplied Cable Clip's to secure the display cables.

