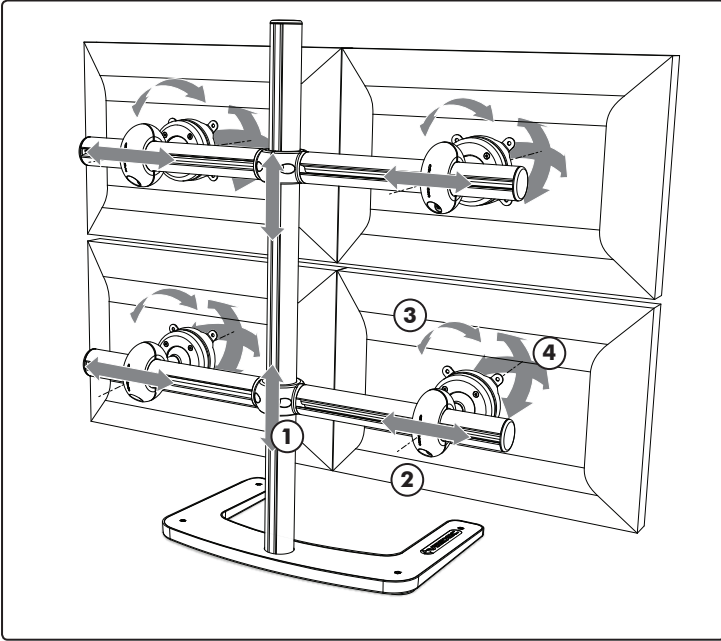


A General Features



Display Compatibility:

Visidec Freestanding Quad is compatible with most Flat Panel Displays between 12" (30cm) and 24" (61cm) that feature either 75mm x 75mm (3 x 3") or 100mm x 100mm (4 x 4") VESA mounting hole patterns

Display Weight Compatibility:

Each Donut Clamp Assembly supports a maximum weight of 11.5kg (25lbs)

Cable Management:

Cable Slot, Cable Clips and Cable Balls (included in package)

Colour Options:

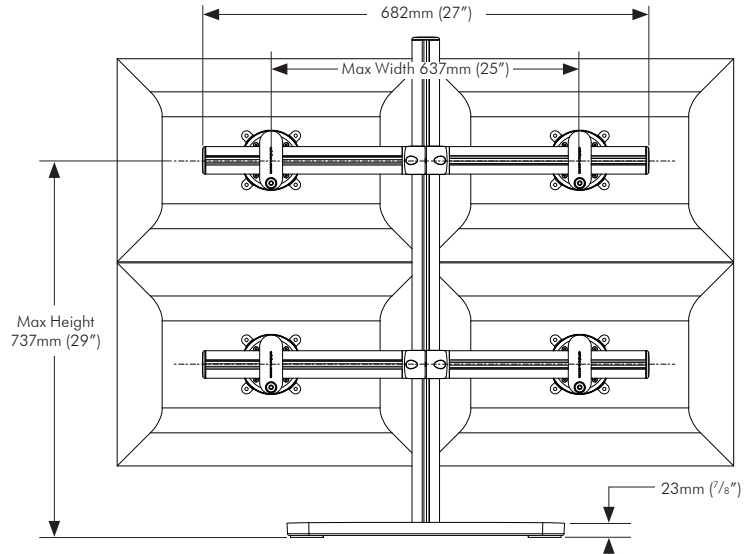
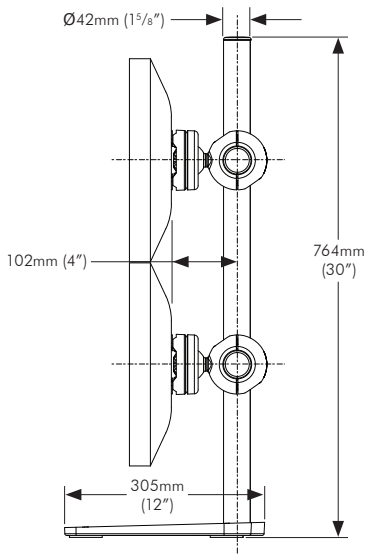
- Pole available in Matt Silver Anodised only
- Donut Clamp available in Black only
- Base available in black/silver only

Warranty:

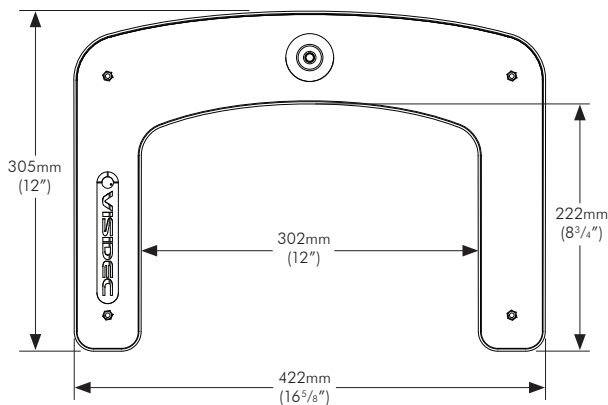
5 years limited

- ① Vertical height adjustment
- ② Horizontal adjustment
- ③ 360° Portrait/Landscape adjustment
- ④ 40° Pan/Tilt adjustment

B Overall Dimensions



C Base Dimensions



D VESA Display Mounting Options

Choose the correct mounting screws supplied in the bits box and attach the display as shown.

Note: Extension Clips are included to suit VESA 100mm x 100mm (4" x 4") Mounting Hole Patterns.

