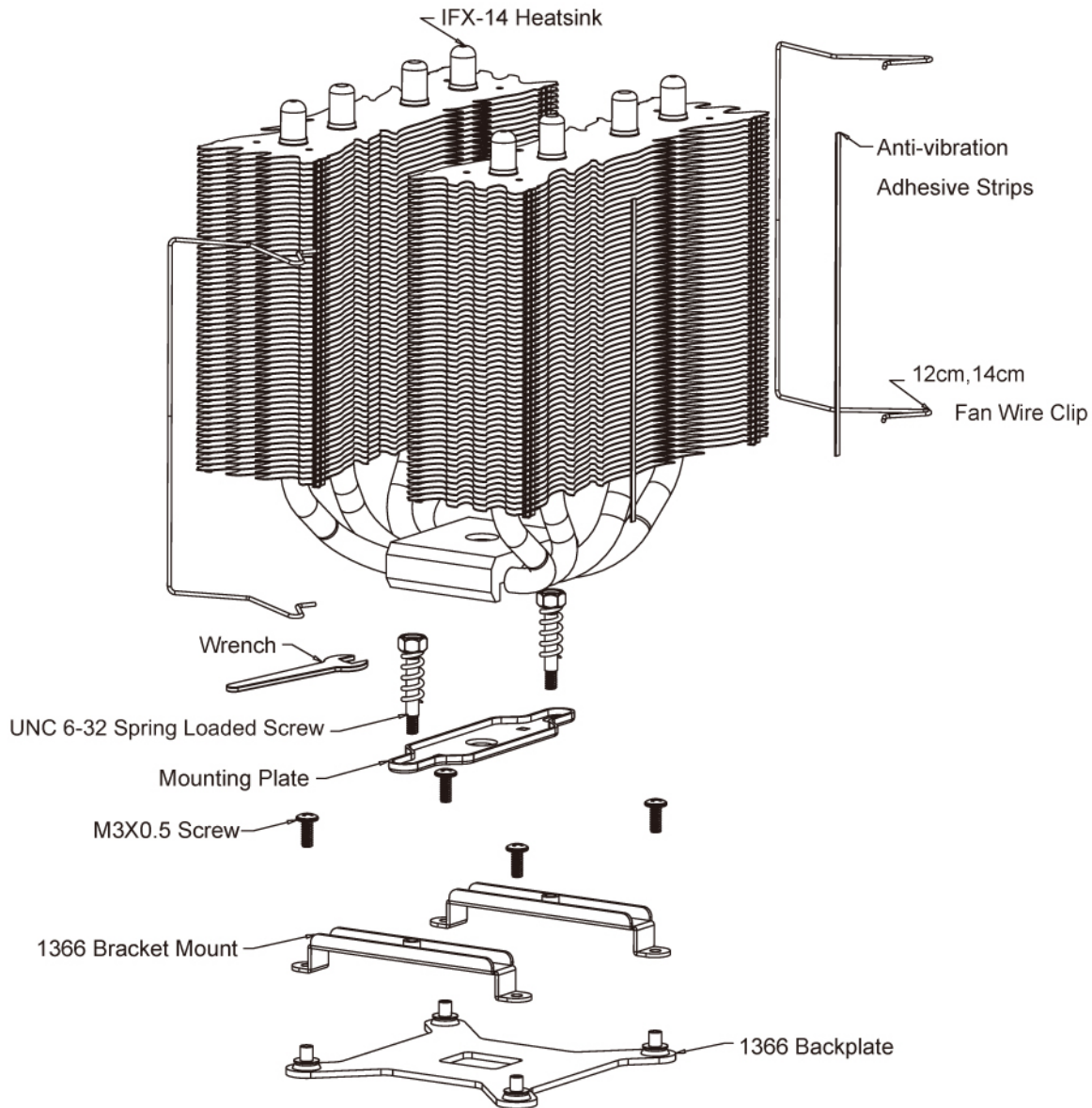


Exploded View

Important! Before proceeding with installation, please check for the most up-to-date instructions at www.thermalright.com



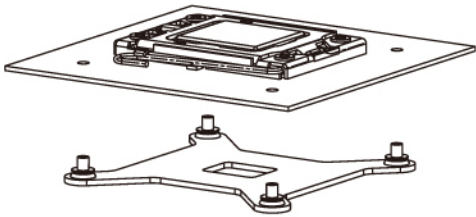
Component

| 1 | | 2 | | | |
|------------|--------------------------------|-----------|------------|------------------------------|-----------|
| 3 | | 4 | | | |
| 5 | | 6 | | | |
| 7 | | 8 | | | |
| 9 | | 10 | | | |
| Parts Name | | Pieces(s) | Parts Name | | Pieces(s) |
| 1 | IFX-14 Heatsink | 1 | 2 | 1366 Backplate | 1 |
| 3 | 1366 Bracket Mount | 2 | 4 | Mounting Plate | 1 |
| 5 | M3X0.5 Screw | 4 | 6 | UNC 6-32 Spring Loaded Screw | 2 |
| 7 | Wrench | 1 | 8 | 12cm, 14cm Fan Wire Clip | 4 |
| 9 | Anti-vibration Adhesive Strips | 4 | 10 | CF2 Thermal Paste | 1 |

Installation Guide

Important! Before proceeding with installation, please check for the most up-to-date instructions at www.thermalright.com

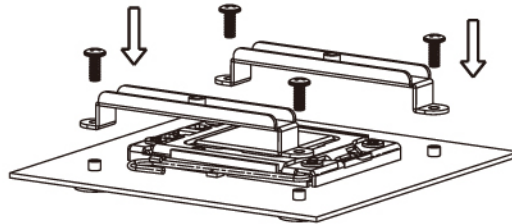
Step 1:



Step 1 : Backplate Installation

Insert the pillars on the backplate through the mounting holes from underneath the the motherboard.

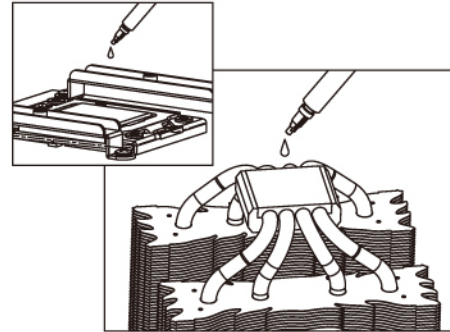
Step 2:



Step 2 : Bracket Mount Installation

Fit the 1366 bracket mounts on the protruding part of the pillars from the top side of motherboard. Use the included M3x0.5 screws to secure the bracket mounts in place.

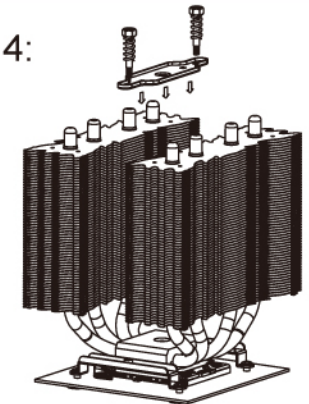
Step 3:



Step 3 : Thermal Paste Application

Apply a thin evenly layer of thermal paste to the CPU and to the bottom of heatsink base.

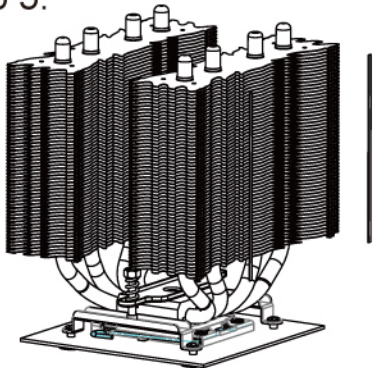
Step 4:



Step 4 : Heatsink Installation

After choosing the best orientation (which way to face) for your configuration setup, place the heatsink on top of CPU. Slide the mounting plate between the heatpipes and the two towers and secure the mounting plate on the bracket mounts using the included wrench.

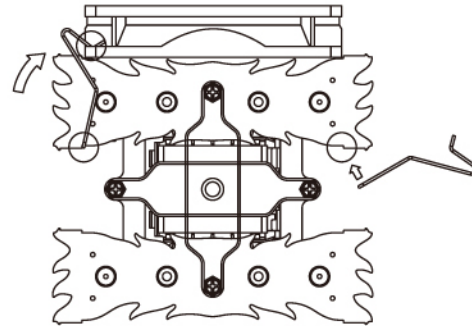
Step 5:



Step 5 : Anti-vibration Strip Application

Stick the anti-vibration strip to the heatsink body with one on each side.

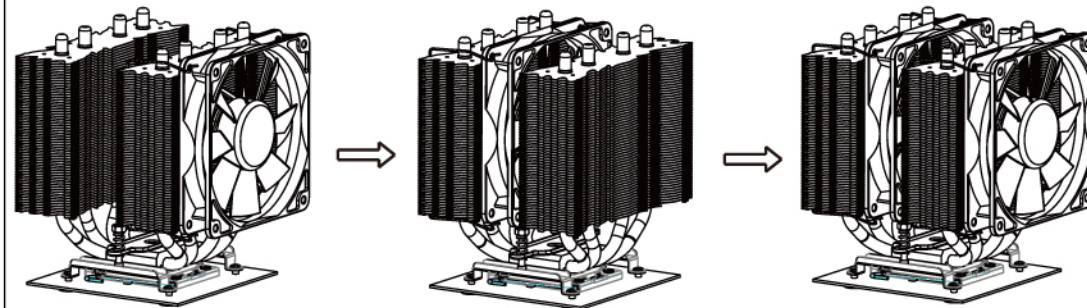
Step 6:



Step 6 : Fan Wire Clip Installation

Insert one end of fan wire clips to the holes on the heatsink body (circled in the illustration).

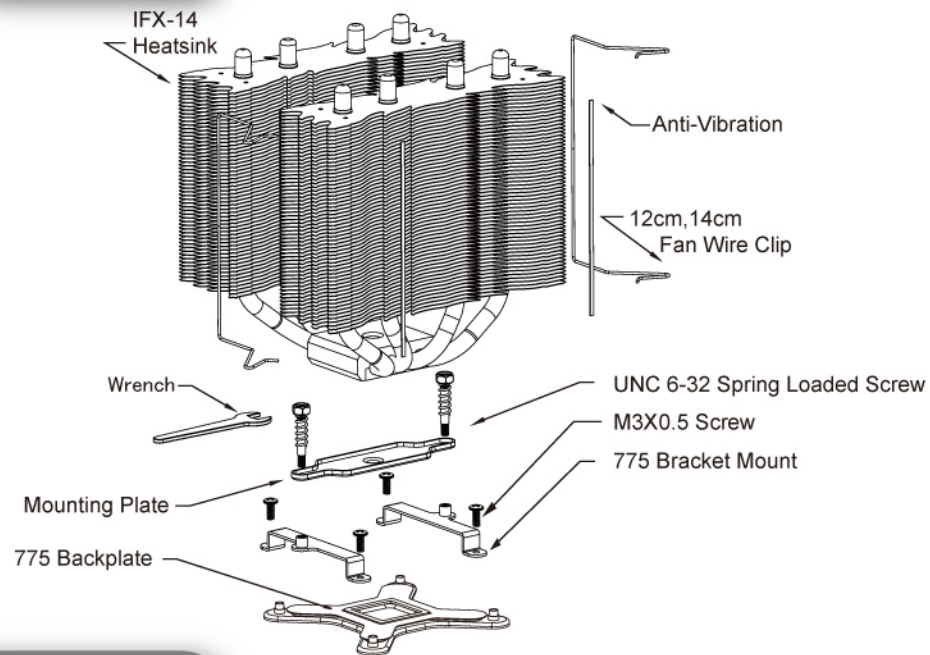
Step 7:



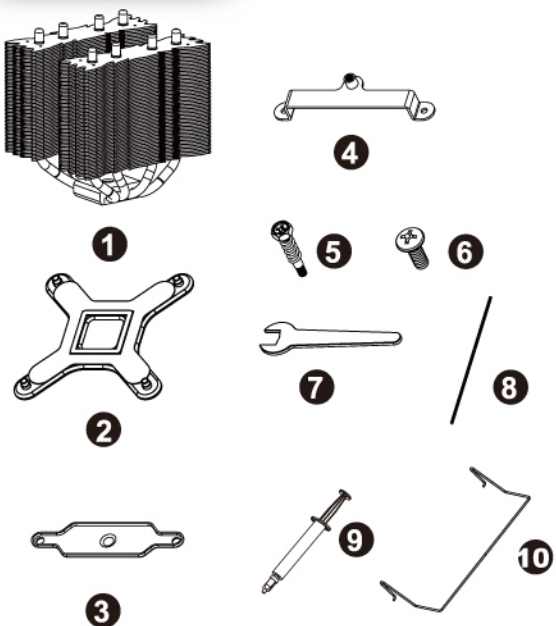
Step 7 : Fan Installation

Place a 12 or 14 cm fan to the heatsink body and pull on the fan wire clips to hook into the fan mounting holes.

Exploded View



Component



| Parts Name | Piece(s) |
|--------------------------------|----------|
| 1 IFX-14 Heatsink | 1 |
| 2 775 Backplate | 1 |
| 3 Mounting Plate | 1 |
| 4 775 Bracket Mount | 2 |
| 5 UNC 6-32 Spring Loaded Screw | 2 |
| 6 M3X0.5 Screw | 4 |
| 7 Wrench | 1 |
| 8 Anti-Vibration | 4 |
| 9 CF2 Thermal Paste | 1 |
| 10 12cm, 14cm Fan Wire Clip | 4 |

Installation

Important! Before proceeding with installation, please check for the most up-to-date instructions at www.thermalright.com

Step 1: Multi-backplate Installation

Insert the hollow pillars through the 775 holes on the multi-backplate.

Step 2: Bracket Mount Installation

Using the four included M3x0.5 screws to secure the two bracket mounts on top of the motherboard to the multi-backplate on the backside of the motherboard. (NOTE: the bracket mount can be installed in any 90 degree direction to best fit your system configuration)

Step 3: IFX-14 Heatsink Installation

Apply an evenly spread out, thin layer of thermal paste to the bottom of the heatsink base as well as to the surface of the CPU. Then place the heatsink on top of CPU. Slide down the mounting plate between the 2 heatsink towers and insert through the pillars on the bracket mounts and use the included spring loaded screws to secure tightly in place.

Step 4: Fan Installation

Stick the anti-vibration strip to the fins. Insert each end of the fan wire clips into the holes indicated by the circle in the illustration. Place a 12 or 14cm fan to the side of the heatsink and pull on the fan wire clip to hook into the fan mounting holes. Fan installation complete (Optional to install a second fan).

