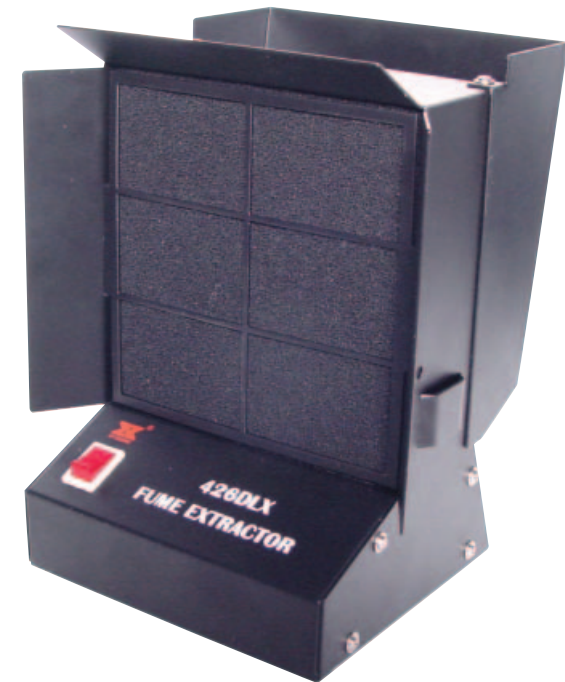




*T 1295 Solder Fume*

## *Operating Instructions*



- All metal construction • High performance ball bearing fan • “Active Carbon” filter • ESD safe
- 12 months warranty

**Altronic Distributors Pty. Ltd.**  
**174 Roe St, Perth**  
**W.A. 6000**

**Phone:** 1300 780 999  
**Fax:** 1300 790 999

**Product Description**

Congratulations on purchasing the T 1295 solder fume extractor. It's compact size ensures that the work surface is not cluttered up and it is easily positioned to ensure maximum effect.

The all metal construction coupled with the high performance ball bearing fan makes this ideally suited to production line assembly, service centres, work benches, colleges etc.

**Maintenance**

Under normal operating conditions the filter should be replaced once a month or when excessive dust has obviously adhered to or discolored the filter. Failure to regularly change the filter will directly affect the absorption capacity and effectiveness of the fume extractor.

Please follow these diagrams for instructions on replacing the filter.

Replacement filter set part number: **T 1291**

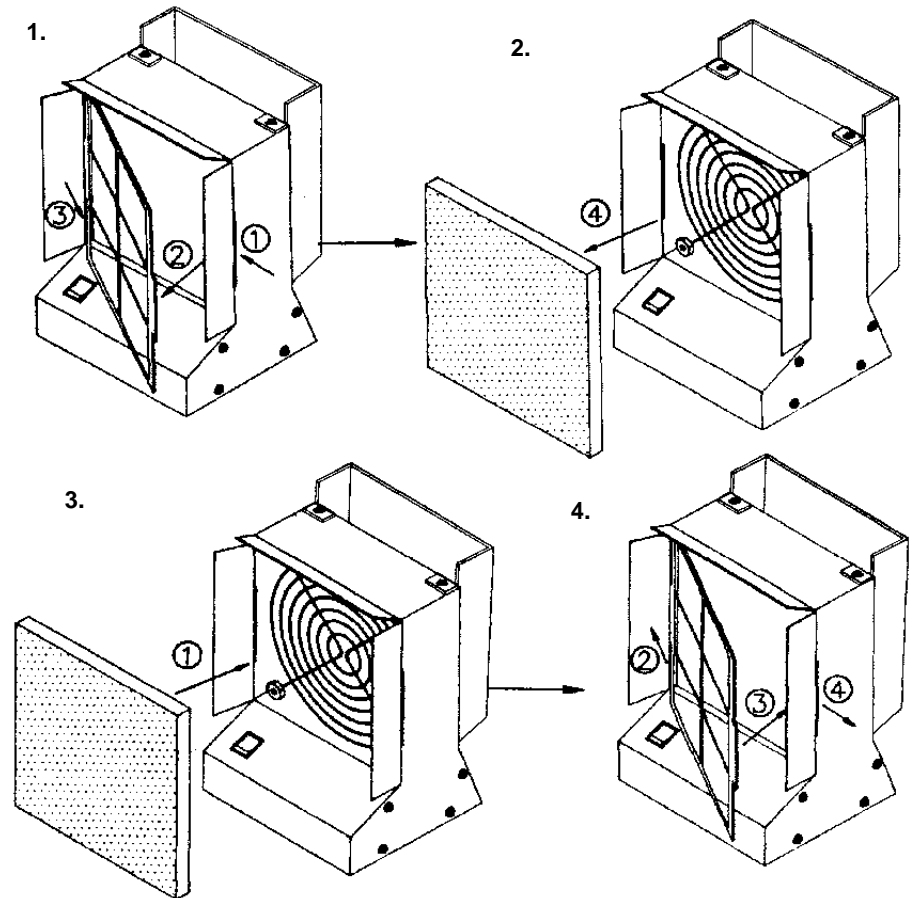
**WARNING**

This device is not intended for use by young children or infirm persons without supervision. Young children should be supervised to ensure they do not play with the appliance.

**Specifications**

Input Power .....	240VAC
Wattage.....	20-22W
Maximum Air Volume.....	95/115 CFM
Outer Dimensions .....	162W X 200H X 120Dmm
Weight (Excluding AC Cord) .....	1600grams
Replacement Filter .....	T 1291

**Replacing Filter**



**Care & Maintenance Notice**

- Be sure to regularly change/clean filter to maximise fume absorption
- Clean rear vent regularly
- Do not touch extractor with soldering equipment, doing so may cause damage to the filter, fan or housing.

***Failure to Comply Will Void Warranty***