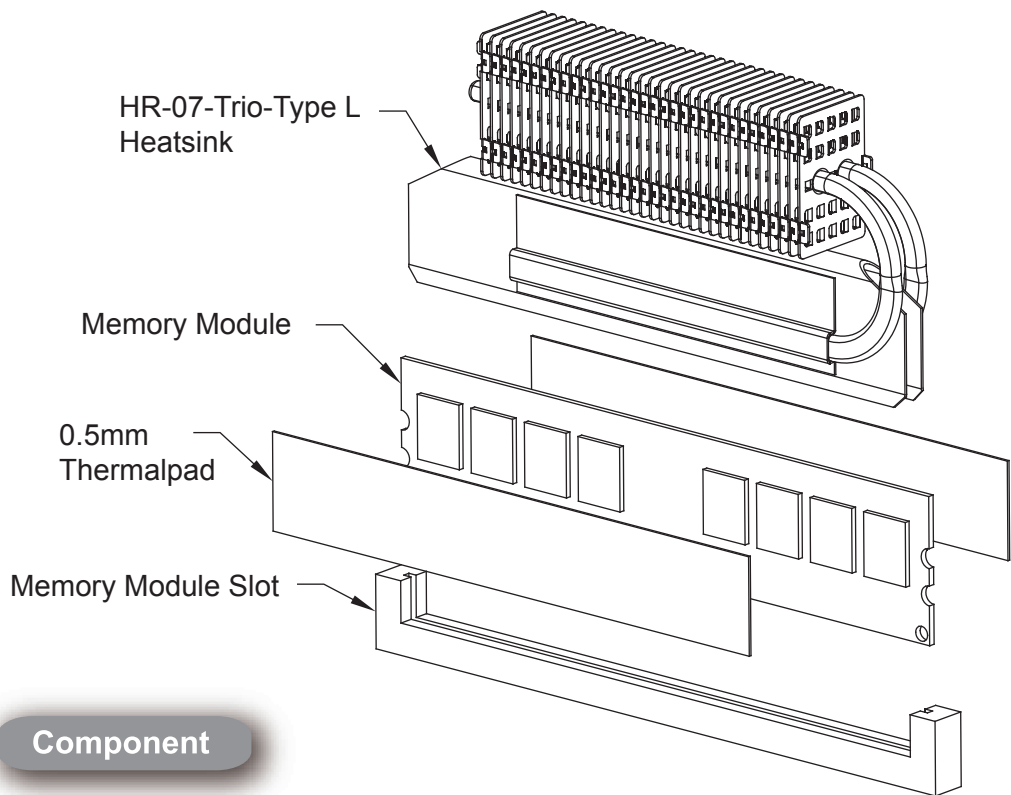
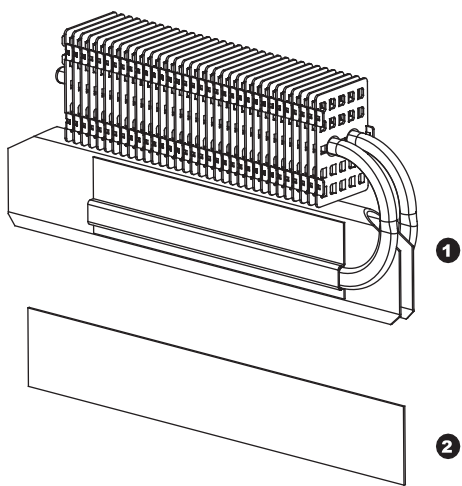


HR-07-Trio-Type L Heatsink

Exploded View



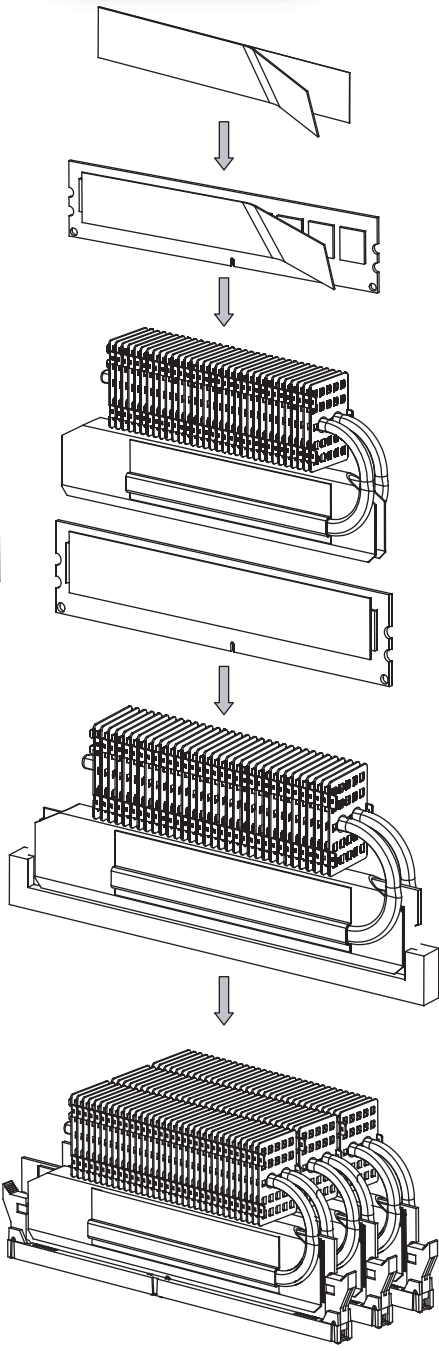
Component



Parts Name	Piece(s)
① HR-07-Trio-Type L Heatsink	3
② 0.5mm Thermalpad	6

Installation

Important! Before proceeding with installation, please check for the most up-to-date instructions at www.thermalright.com



Step 1 : Thermal Pad Backing Tear Off

Take out the Thermal pads from the accessory pack and peel off the protective film.

Step 2 : Thermal pad Application

Apply the adhesive side of the thermal pad to the memory module on each side.

Step 3 : Heatsink Installation

After carefully inserting the memory module into the clamps of HR-07-TRIO Type L, stick the Memory Module with the heatsink attached into the memory slot as depicted in the illustration.

Step 4 : For Single Slot Memory Setup

Once you have installed a HR-07-TRIO Type L on your memory module, you are basically done. If you plan on installing more memory modules, please go on to the next step.

Step5: HR-07-TRIO Type L For a tri-channel DDR3 Setup

For a tri-channel setup, please repeat step 1 to step 4 for each of the three memory modules.

Step6: For a Full Six Slot DDR3 Setup

To install on all six slots, you will need to have a set of HR-07-TRIO Type H and a set of HR-07-TRIO Type L. Install as depicted in the illustration.

