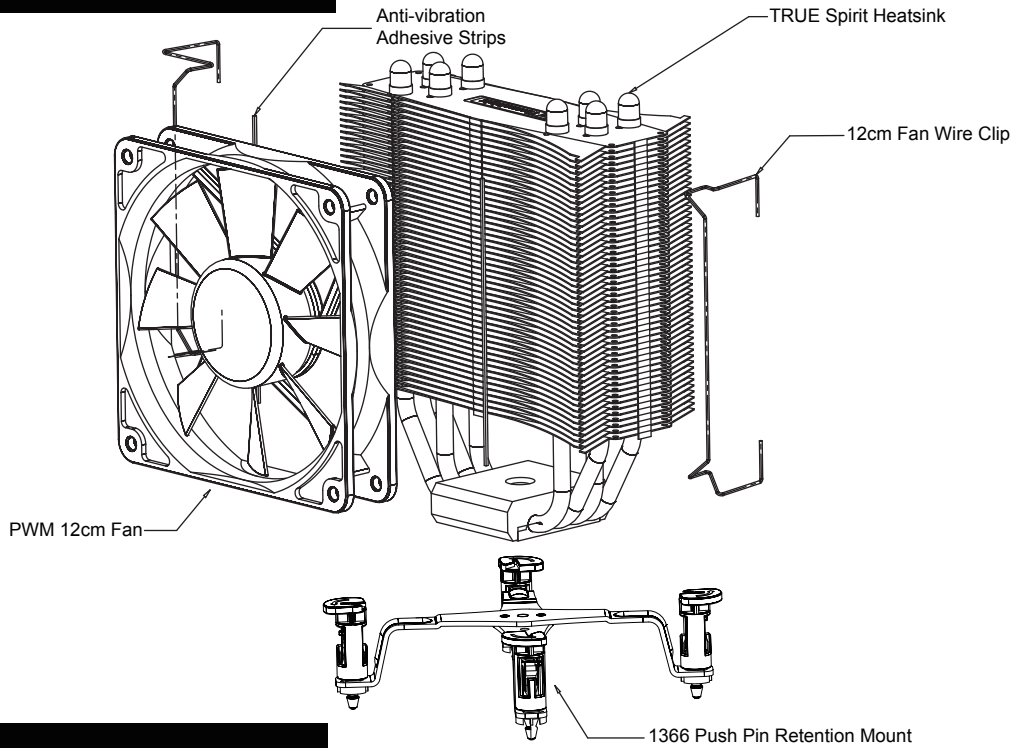
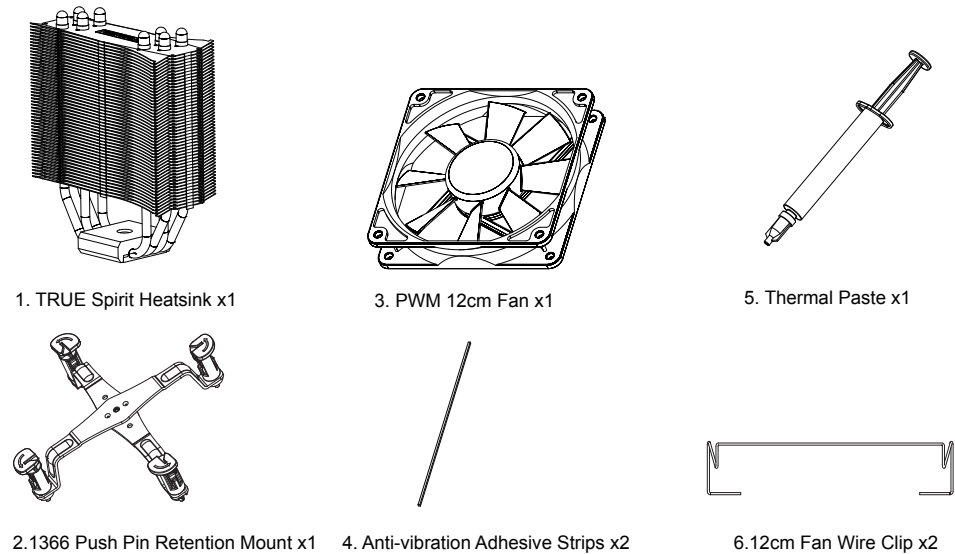


Exploded View



Component

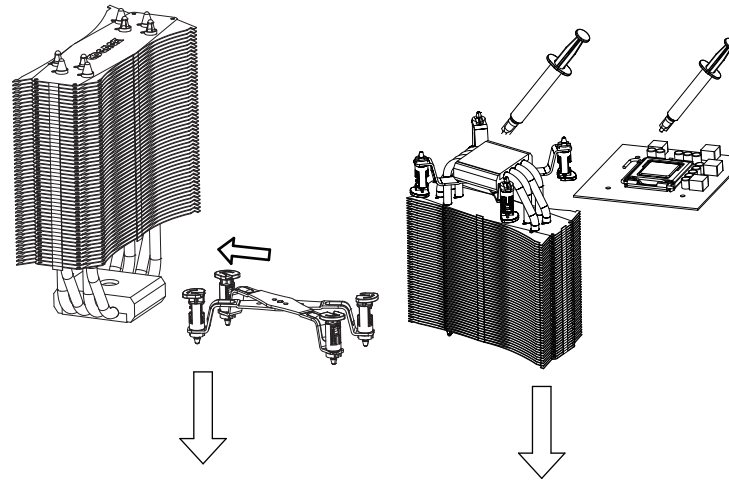


Installation

Important! Before proceeding with installation, please check for the most up-to-date instructions at www.cogage.com

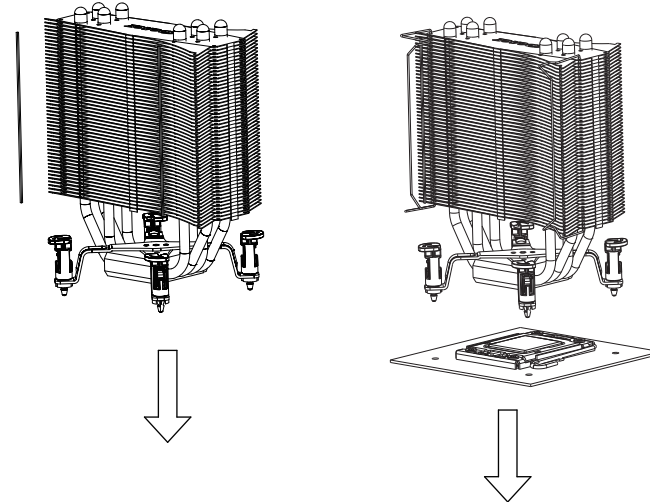
Step 1 : Mounting Bracket Installation

Retract the 1366 Push Pin Retention Mount to its smallest form and insert through between the heatpipes and then extend back to its original form. Place mounting bracket on top of the heatsink base and then place the heatsink on the CPU.



Step 2 : Accessory Installation

Apply the anti-vibration strips on each side of the heatsink. Insert one end of fan wire clips into the top fins and the other end to the bottom fins as shown in the illustrations.

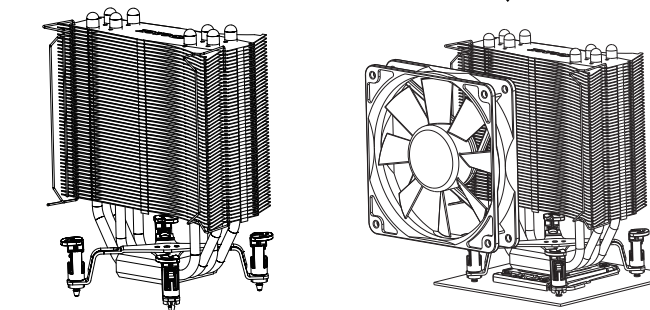


Step 3 : Thermal Paste Application

Apply a thin layer of thermal paste to the CPU and to the bottom of heatsink base.

Step 4 : Heatsink Installation

Align the four push-pin fasteners to the CPU mounting holes and press down each one through the board sequentially to secure the heatsink in place. Align the four push-pin fasteners to the CPU mounting holes and press down each one through the board sequentially to secure the heatsink in place.



Step 5 : Fan Installation

Place a 12cm fan next to the heatsink. Pull on the fan wire clips to hook into the fan mounting holes to hold the fan in place. Plug in fan for power. Installation complete.

