


Changes for the Better



# MITSUBISHI ELECTRIC

## MULTIMEDIA DATA/VIDEO PROJECTORS

XL2550U

**4000lm**  
Brightness

**4000hrs**  
Long Life Lamp  
*(with lamp low mode)*

**29dBA**  
Fan Noise  
*(with lamp low mode)*

*An installation projector instilled with our passion for excellence, embodying our all-out pursuit of big-screen impact.*

XL1550U

**3100lm**  
Brightness

**5000hrs**  
Long Life Lamp  
*(with lamp low mode)*

**22dBA**  
Fan Noise  
*(with lamp low mode)*

## XL2550U/XL1550U

INSTALLATION XGA PROJECTOR



**BrightEra™**  
(XL2550U)



### Long-focus lenses engineered for ceiling-suspended installations

Equipped with our long-focus lens designed for ceiling-suspended installation in auditoriums and other large indoor venues, these new models create bright, clear and dynamic images. Optional interchangeable lenses tooled to meet specific tastes and needs are also available.

### Fan noise is a hushed 22dBA, almost too quiet to notice (XL1550U)

Fan noise is barely perceptible at 22dBA\* (XL1550U). Even in cramped room conditions, clear and quiet presentations are guaranteed.

(\*) When used at the low lamp mode.

|                              |                 |
|------------------------------|-----------------|
| Trembling leaves             | 20dBA           |
| Whispering voices            | 30-40dBA        |
| Daytime residential district | 40dBA and above |

### Bright 4000lm with BrightEra™ LCD panels (XL2550U)

The XL2550U model is equipped with newly developed BrightEra™ LCD panels. These panels include inorganic orientation film and vertical orientation liquid crystal to bring improvements in reliability of light resistance. What's more, our new drive system (double-speed field inversion drive) solves nagging liquid crystal orientation distortion caused by pixel line voltage gaps. The result is a high pixel aperture ratio, which increases light efficiency to a whole new level.



1000lm

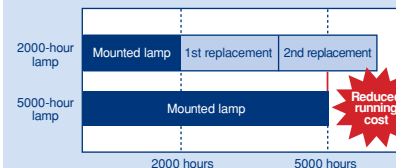


4000lm

### Long Lamp Life - Up to 5000 hours (XL1550U)

Designed with a light source lamp temperature control, the XL1550U model can support a lamp life of up to 5000 hours\*1. This support for a long lamp life makes dramatic reductions in overall cost of ownership by decreasing the frequency of lamp replacements.

#### Lamp Replacement Frequency\*2



(\*1): When used at the low lamp mode. Maximum lamp life at standard mode use is 2,000 hours. (\*2): Lamp life refers to the average time required for brightness to be reduced by half, and not the time specified in the warranty. Use time may vary widely by the environment and conditions, and whether or not cleaning and other maintenance procedures are followed.



# XL2550U/XL1550U

## INSTALLATION XGA PROJECTOR



### Side Lamp Replacement

A side-loading lamp design makes lamp replacement quick and efficient. With this time saving design, you can leave the projector in place, and simply extract the old lamp from its side, saving you time and money.



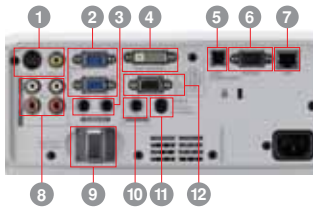
### Anti-Theft Security Hook

An anti-theft security hook is located on the rear side of the projector to deter any unauthorized removal from classrooms, media carts or mounts.

Note: Mitsubishi Electric cannot accept responsibility for thefts occurring despite use of this safety feature.

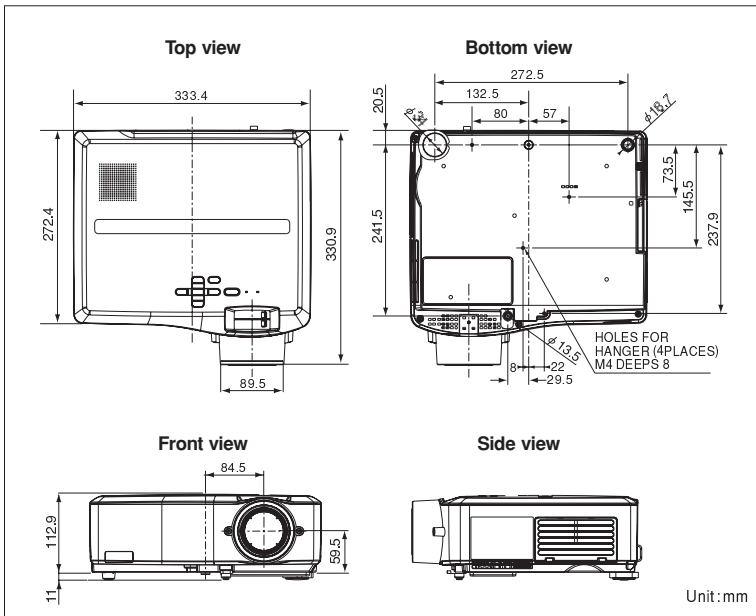
### Input and Output Terminals

Enhanced terminal group realizes a versatile range of presentations.



- 1 S-Video / Video input
- 2 PC / Component Video input(mini D-sub 15pin)
- 3 PC / Audio input
- 4 DVI-D(with HDCP) input
- 5 USB terminal for mouse control
- 6 Serial RS-232C(D-sub 9pin)
- 7 LAN(RJ-45)
- 8 Video / Audio input
- 9 Security Hook
- 10 Audio output
- 11 DC Out 5V 1.5A(Max)
- 12 Monitor output

### Dimensions



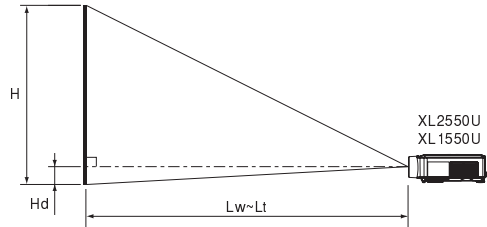
### Specifications

| Model                   | XL2550U  | XL1550U   |
|-------------------------|--|---|
| Display technology      | 0.8" 3-LCD (with micro lens)   |   |
| Resolution              | 1024X768(total 786,432 pixels) 600 video lines   |   |
| Brightness              | 4000lm   | 3100lm  |
| Contrast                | 600: 1(on/off)   | 400: 1(on/off)  |
| Projection lens         | f=29-37mm, F1.7-2.0  |   |
| Throw Ratio             | 1.77-2.26  |   |
| Picture Size            | 40"~300"   |   |
| Source lamp             | 220W (Shut Off Time 4000Hrs) in Low Mode<br>261W (Shut Off Time 2000Hrs) in Standard Mode  | 160W (Shut Off Time 5000Hrs) in Low Mode<br>200W (Shut Off Time 2000Hrs) in Standard Mode |
| Computer compatibility  | 640x480 (Expand)<br>1280x768 (Compressed)  | 1024x768 (True~Real)<br>1600x1200 (Resampling)  |
| Video compatibility     | NTSC/NTSC 4.43/PAL(including PAL-M, N)/SECAM/PAL-60<br>Component Video: 480i/p(525i/p),576i/p(625i/p),720p(750p 50/60Hz),1080i(1125i 50/60Hz),SCART(RGB+1V sync) |   |
| PC input terminals      | PC: mini D-sub 15pinX2, DVI-D(with HDCP)X1<br>PC-Audio: stereo mini jack (ø3.5mm)X2  |   |
| Video input terminals   | Video: RCAX1, S-videoX1, Audio: RCA (L,R)X2  |   |
| Output terminals        | Monitor Out: mini D-sub 15pinX1, DC Out: 5V 1.5A(MAX)<br>Audio: stereo mini (ø3.5)X1   |   |
| Communication terminals | LAN(RJ-45)X1,RS-232C(D-Sub 9 pin)X1 (Direct Command)<br>USB terminal for mouse cursor control  |   |
| Audio speaker           | 3W mono  |   |
| Dimension (WXHXD)       | 333X113X272mm (13.1X4.4X10.7") (excluding height adjustment)   |   |
| Weight                  | 4.7kg / 10.4lbs  |   |
| Power supply            | AC100 - 240V, 50/60Hz  |   |
| Optional lamp           | VLT-XL650LP  | VLT-XL550LP   |

\*"BrightEra" and BrightEra are trademarks of Sony corporation.  
\*All brand names and product names are trademarks, registered trademarks or trade names of their respective holders.

### Screen size and Projection distance

As seen from the side



### Screen size chart (4:3 aspect ratio)

| Screen        |       | Distance from screen |           |           |      | Height projected image (Hd) |      |     |     |      |    |
|---------------|-------|----------------------|-----------|-----------|------|-----------------------------|------|-----|-----|------|----|
| Diagonal Size | Width | Height               | Max. Zoom | Min. Zoom | inch | cm                          |      |     |     |      |    |
| 40            | 102   | 32                   | 81        | 24        | 61   | 55                          | 1.4  | 71  | 1.8 | 2.4  | 6  |
| 60            | 152   | 48                   | 122       | 36        | 91   | 84                          | 2.1  | 108 | 2.7 | 3.6  | 9  |
| 80            | 203   | 64                   | 163       | 48        | 122  | 113                         | 2.9  | 145 | 3.7 | 4.8  | 12 |
| 100           | 254   | 80                   | 203       | 60        | 152  | 142                         | 3.6  | 182 | 4.6 | 6.0  | 15 |
| 150           | 381   | 120                  | 305       | 90        | 229  | 214                         | 5.4  | 274 | 6.9 | 9.0  | 23 |
| 200           | 508   | 160                  | 406       | 120       | 305  | 285                         | 7.3  | 366 | 9.3 | 12.0 | 31 |
| 250           | 635   | 200                  | 508       | 150       | 381  | 357                         | 9.1  | -   | -   | 15.0 | 38 |
| 300           | 762   | 240                  | 610       | 180       | 457  | 429                         | 10.9 | -   | -   | 18.0 | 46 |

Max.Zoom(Wide) :  $y=(x-1.5215) / 27.37$  x:Diagonal Size of Screen (inch)  
Min.Zoom(Tele) :  $y=(x-1.1903) / 21.413$  y:Throw Distance (m)

### Option



Lamp  
VLT-XL650LP  
VLT-XL550LP

## MITSUBISHI DIGITAL ELECTRONICS AMERICA, INC.

Presentation Products Division  
Phone: 888.307.0349  
Email: [ppdinfo@mdea.com](mailto:ppdinfo@mdea.com)  
[www.mitsubishi-presentations.com](http://www.mitsubishi-presentations.com)



PRESENTATION PRODUCTS

## MITSUBISHI ELECTRIC SALES CANADA INC.

Information Technologies Group  
Phone: 905.475.7728  
[www.mitsubishielectric.ca](http://www.mitsubishielectric.ca)