



Expand Your Imagination

eXtreme Power Plus 550W//600W//650W

www.coolermaster.com

Features



RS-550-PCAR-E3
RS-600-PCAR-E3
RS-650-PCAR-E3



- **Compliance** with the newest Intel standard ATX 12V V2.3
- **Support** dual +12V1 and +12V2 outputs for higher power usage



- **Intelligent** speed control 120 mm fan



- **SATA** Connector x 6



- **Two-year** warranty
- **High** reliability (MTBF > 100,000 hours)



- **Protection** design (OVP/OCP/OPP/SCP)



- **More** than 70% better efficiency at typical load operation



- **6+2Pin** PCI-e Connector x 2



Close Up



Input current selectable (115V / 230V)



120mm fan makes superb heat dissipation



Honey combo structure increase airflow for better heat dissipation





Expand Your Imagination

eXtreme Power Plus

550W//600W//650W

www.coolermaster.com

Specifications

Model	RS-600-PCAR-E3 / RS-600-PCAR-E3
Type	Intel Form Factor ATX 12V V2.3
Input Voltage	110 - 115V / 220 - 230V
Input Current	10A@115Vac / 6.3A@230Vac
Input Frequency Range	47~63Hz
Fan	120mm Fan
Power Good Signal	100~500ms
Hold Up Time	>17ms
Efficiency	70% Typically
MTBF	>100,000hrs
Protection	OVP / OPP / SCP
Dimension	150 x 140 x 86 (mm)
Operation Temperature	5~40 C°(Nominal Input Voltage)
Regulatory	Nemko / TUV / CE / UL / FCC / BSMI / GOST / C-tick

RS-600-PCAR-E3

AC Input	115 / 230V		10 / 6.3A		50 / 60Hz		
DC Output	+3.3V	+5V	+12V1	+12V2	-5V	-12V	5Vsb
Max. Output	25A	30A	18A	18A	0.8A	0.8A	2.5A

RS-650-PCAR-E3

AC Input	115 / 230V		10 / 6.3A		50 / 60Hz		
DC Output	+3.3V	+5V	+12V1	+12V2	-5V	-12V	5Vsb
Max. Output	28A	30A	18A	18A	0.8A	0.8A	2.5A

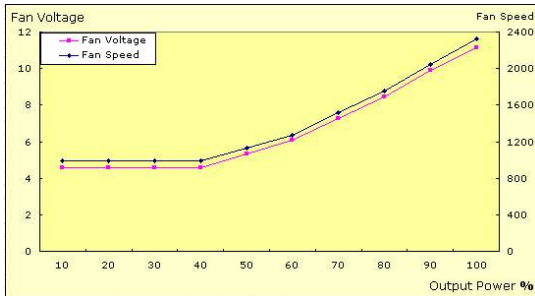
Model	RS-550-PCAR-E3
Type	Intel Form Factor ATX12V V2.3
Input Voltage	110 - 115V / 220 - 230V
Input Current	8A@115Vac / 6.3A@230Vac
Input Frequency Range	47~63Hz
Fan	120mm Fan
Power Good Signal	100~500ms
Hold Up Time	>17ms
Efficiency	>70% Typically
MTBF	>100,000hrs
Protection	OVP / OPP / SCP
Dimension	150 x 140 x 86 (mm)
Operation Temperature	5~40 C°(Nominal Input Voltage)
Regulatory	Nemko / TUV / CE / UL / FCC / BSMI / GOST / C-tick

RS-550-PCAR-E3

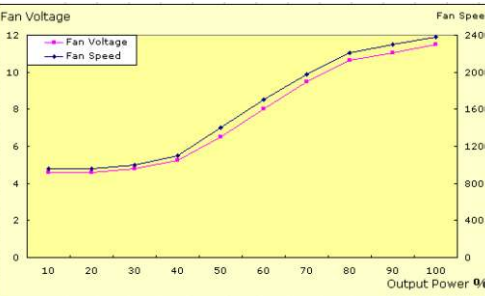
AC Input	115 / 230V		8 / 6.3A		50 / 60Hz		
DC Output	+3.3V	+5V	+12V1	+12V2	-5V	-12V	5Vsb
Max. Output	25A	25A	16A	16A	0.8A	0.8A	2.5A

Fan Curve

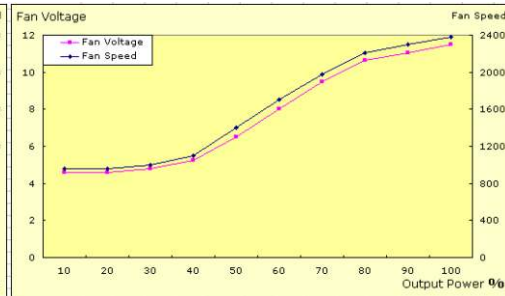
RS-550-PCAR-E3



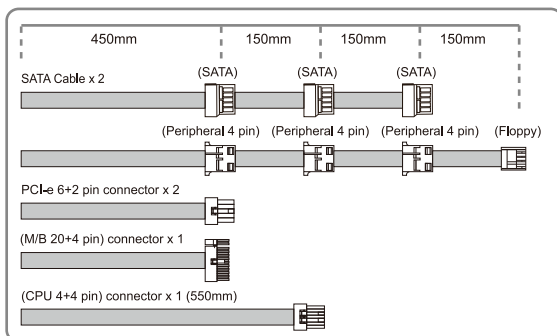
RS-600-PCAR-E3



RS-650-PCAR-E3



Connector



20+4 pin x 1 Motherboard Connector



4+4 pin x 1 CPU+12V Connector



6+2 pin x 2 PCI-e Connectors



S-ATA x 6 S-ATA Connectors



4 pin x 3 Peripheral Connectors



4 pin x 2 Floppy Connectors